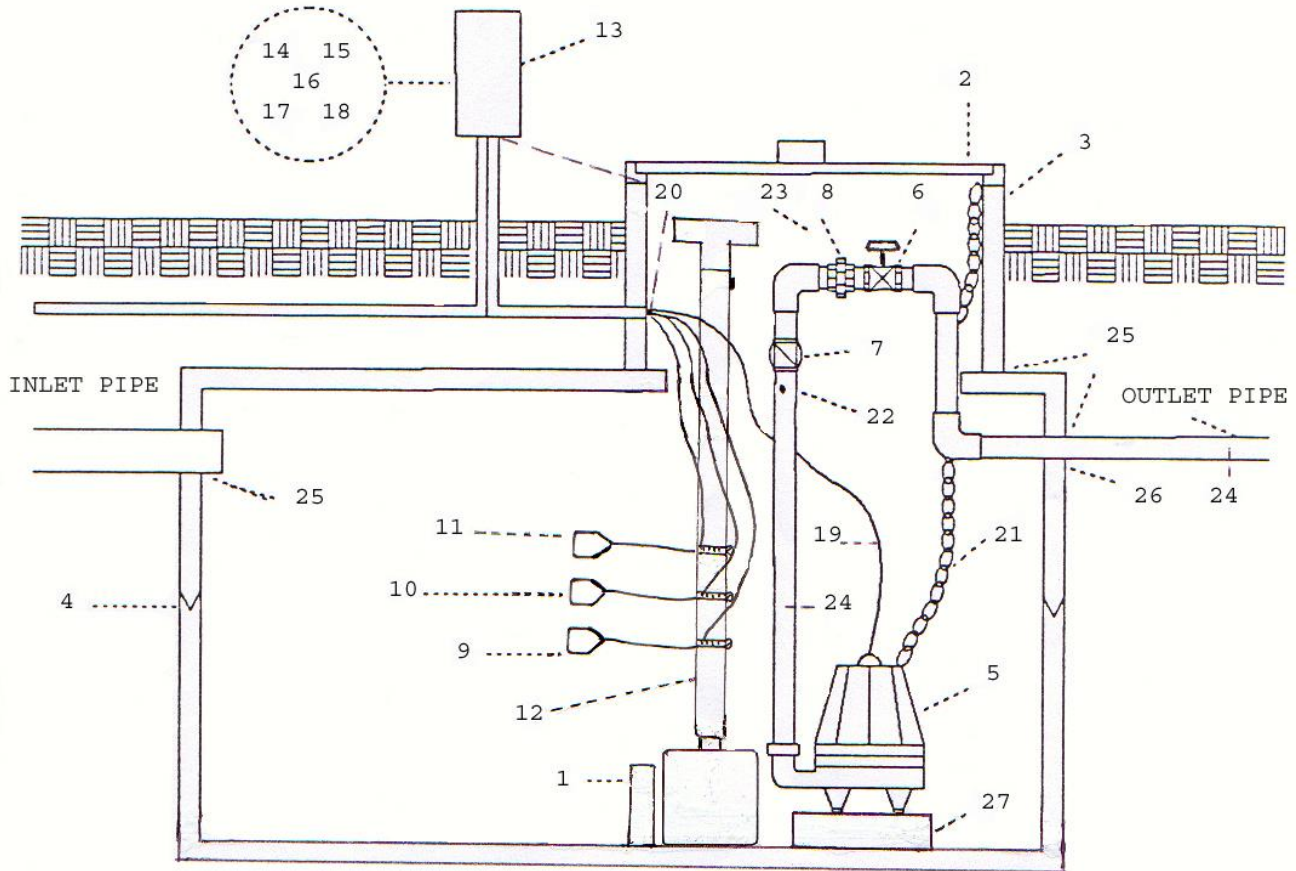




RUTHERFORD POLK MCDOWELL DISTRICT HEALTH DEPARTMENT

Important Features of Pump Tank



Construction

1. Baffle wall modified (if present)
2. Access opening (min. 24 inches) with removable lid
3. Manhole riser (min 6 inches above ground)
4. Double seal tank joint w/ mastic & surface bonding cement
5. Pump (U.L. listed or equivalent, effluent pump min.)

Fittings

- (PVC w/ glue fittings, no hose clamps)
6. Ball valve or gate valve
 7. Check valve (not spring loaded type)
 8. Union or disconnect

Level Control Floats (sealed mercury type, use 3 float system)

9. Pump-off (min 12. inches above bottom)
10. Pump-on (set for required dose)
11. Highwater alarm (6 inches above pump-on)
12. Telescoping float tree (see reverse)

Electrical

13. Enclosure/control box (NEMA 4X – within arms reach or line of site from riser) Box 12" + above ground

- A. Wiring must be installed by licensed electrician
- B. Wiring must be inspected by county building inspector
- C. Pump must be demonstrated to work (test run)
- D. Pump must always be submerged unless mfrs specifications are different.

14. Alarm on separate circuit (Audible and visible)
15. Pump run light *
16. H-O-A switch *
17. Elapsed time meter *
18. **Disconnect at tank site**
19. No internal splices (conduit large enough for electrical plug)
20. Electrical conduit sealant (duct seal or 100% silicone caulk)

Other

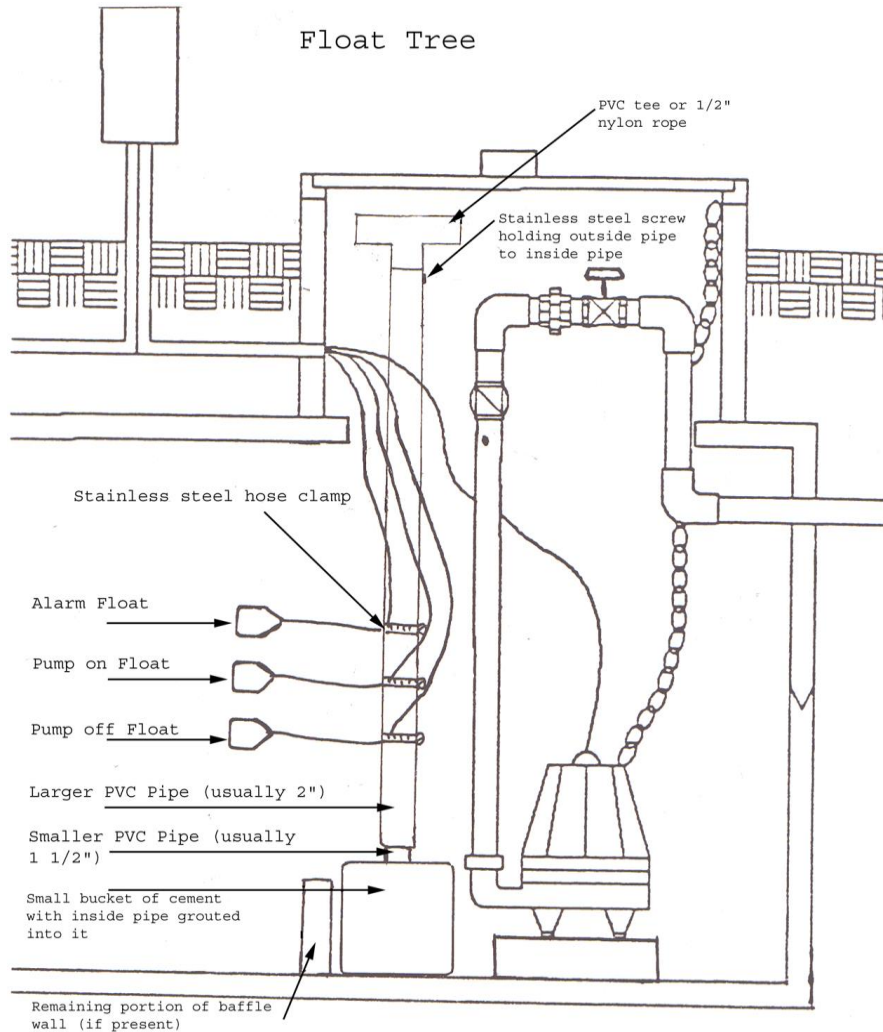
21. Stainless steel pump lift chain or ½ inch nylon rope
22. Anti-siphon hole (3/16 inch diameter)
23. Easy access to internal fittings (up inside riser)
24. Discharge pipe (schedule 40, usually 200 psi)
25. Water tight connections
26. Pump tank Serial No. and date
27. Pump sitting on concrete block (4" thick)
28. Pump to 75 gallon distribution box or pressure manifold
29. Is leak test required for tanks? (Y/N)

General

- E. Supply line must be properly bedded and braces used where needed
- Special Note:** If manufacturers specifications are different than anything shown or described above, then please contact Health Department before proceeding.



RUTHERFORD POLK MCDOWELL DISTRICT HEALTH DEPARTMENT



Installers Check List

A. Figures needed for dealer to size pump:

- _____ elevation difference between bottom of pump tank and top of distribution box
- _____ length of supply line pipe from pump tank to distribution box
- _____ size and type material of supply line pipe (e.g. 2" pvc sch. 40)
- _____ flow rate in gpm (min. 21 gpm for 2" pipe or 46 gpm for 3" pipe), add 3 gpm for each 3/16" diameter siphon hole

B. Float settings (in inches from bottom of pump tank)

- _____ pump off (equals height of pump and cap block plus 2")
- _____ pump on (inches of draw down or dose volume)
- _____ alarm on (always 6" above pump on)